

DBM14Ad

FEATURES

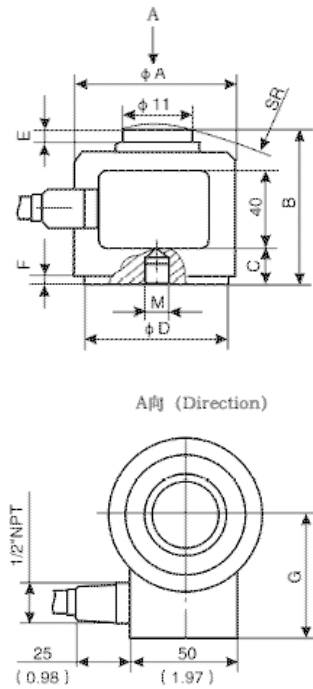
- Digital signal output(RS-485/4-wire)
- Rated load 10t-100t
- Easy to install
- Stainless steel
- Fully sealed welding
- Accuracy based on OIML R60 C3
- Large voltage protection



SPECIFICATION

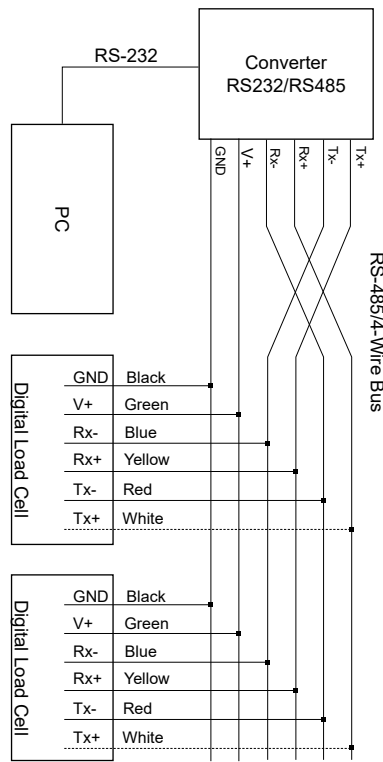
Capacity	t	10,20,40,60,100
Accuracy class		C3
Maximum number of load cell intervals	nmax	3000
Minimum number of load cell intervals	vmin	E _{max} /7500
Rated output	Counts	1000000
Combined error	%FS	≤ ±0.020
Measurement rate	Hz	112,56,28,14,7,3
Creep	(%FS/30min)	≤ ±0.016
Temperature effect on sensitivity	(%FS/10 °C)	≤ ±0.011
Temperature effect on zero	(%FS/10 °C)	≤ ±0.019
Excitation voltage	V DC	6~15
Communication interface		RS 485/4
Number of bus addresses		Maximum 32
Communication baud rate	Bps	19200
Maximum communication distance	m	1200
Compensated temperature	(°C)	-10~ +40
Operating temperature	(°C)	-10~ +50
Safe overload	(%FS)	150
Ultimate overload	(%FS)	300
Level of protection		IP68
Cable length	m	20(25,40,60,100t) 10(10t)
Cable specification		Ductor shielded cable, φ5mm

DIMENSIONS MM (INCH)



Capacity(t)	10,25	40, 60	100
A	73 (2.87)	105 (4.13)	151.4 (6.0)
B	82.5 (3.25)	127.0 (5.0)	184.2 (7.25)
C	12 (0.47)	34 (1.34)	72.3 (2.85)
D	58 (2.28)	82.5 (3.25)	123.8 (4.87)
E	7.75 (0.31)	9.4 (0.37)	23.75 (0.91)
F	2.6 (0.10)	4 (0.16)	3.7 (0.15)
G	64 (2.52)	87 (3.43)	108.2 (4.26)
H	M12×1.75	M20×2.5	
SR	152 (5.98)	152 (5.98)	432 (17.01)

WIRING



Green: V+
 Black: GND
 White: Tx+
 Red: Tx-
 Yellow: Rx+
 Blue: Rx-
 Transparent: Shield