

DBM14Cd

FEATURES

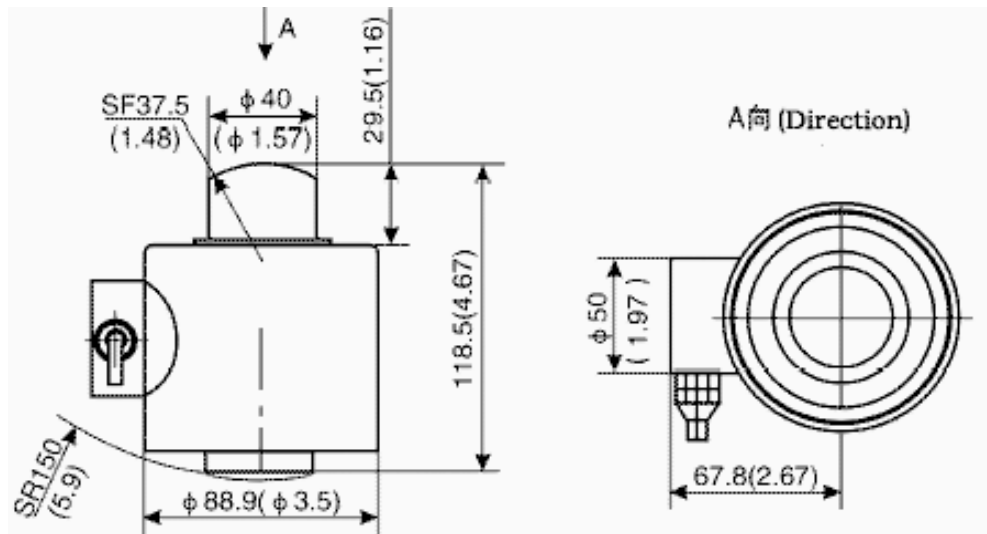
- Digital signal output (RS-485/4-wire)
- Nominal load 10t-100t
- Daul rocker column structure
- Easy to install
- Stainless steel
- Hermetically sealed
- Legal for trade verification according to OIML R60 up to 3000d
- Over-voltage protection



SPECIFICATION

Capacity	t	10,20,25,30,40,50
Accuracy class		C3
Maximum number of load cell intervals	nmax	3000
Minimum number of load cell intervals	vmin	E _{max} /7500
Rated output	Counts	1000000
Combined error	%FS	≤ ±0.020
Measurement rate	Hz	112, 56, 28, 14, 7, 3
Creep	(%FS/30min)	≤ ±0.016
Temperature effect on sensitivity	(%FS/10 °C)	≤ ±0.011
Temperature effect on zero	(%FS/10 °C)	≤ ±0.019
Excitation voltage	V DC	6~15
Communication interface		RS 485/4
Number of bus addresses		Maximum 32
Communication baud rate	Bps	19200
Maximum communication distance	m	1200
Compensated temperature	(°C)	-10~+40
Operating temperature	(°C)	-10~+50
Safe overload	(%FS)	150
Ultimate overload	(%FS)	300
Level of protection		IP68
Cable length	m	15
Cable specification		Ductor shielded cable, φ5mm

DIMENSIONS MM (INCH)



WIRING

