

DH14A4d10

FEATURES

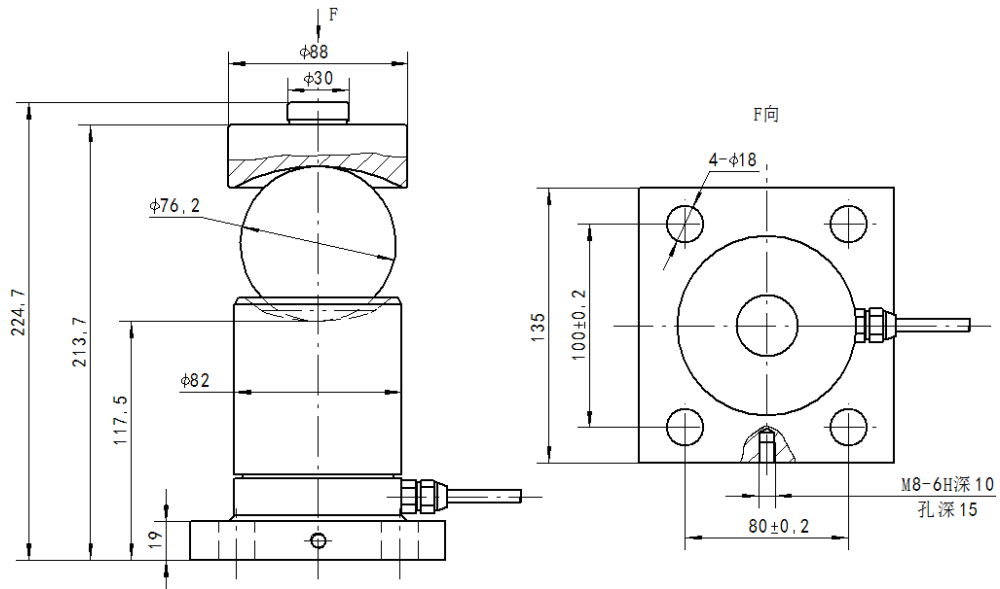
- The DH14A4d10 is a digital load cell that its sampling rate is programmable. Communication via serial interface RS485, making it easy to connect to PC/PLC and other instruments etc. It is the ideal instrument for high precision measurements.
- Nickel plated alloy steel materials.
- Compression structure design, easy to install and flexible.
- Power supply 12...24V DC.
- The sampling rate can be adjusted, maximum sampling rate is 1200Hz.
- When sampling rate is 1200Hz, the linearity is better than 0.2%.
- Internal resolution up to 1 million counts.
- Serial port RS485 for connection to PC/PLC by ASCII.



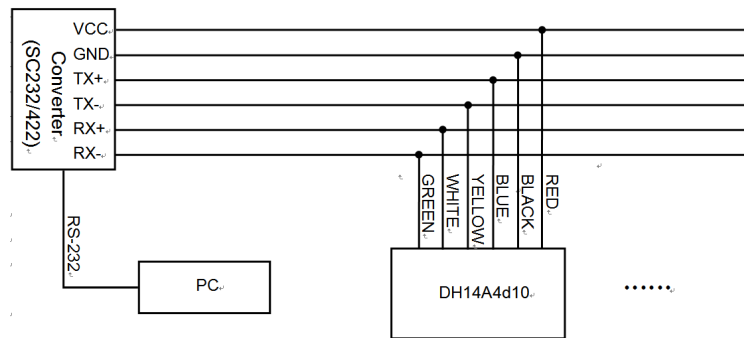
SPECIFICATION

Capacity	t	10 / 20 / 30 / 40 / 50	
Conversion rate internal / external (values per second)	Hz	1 , 3 , 10	250 , 1200
Accuracy class		C3	0.2%FS
Combined error	%FS	≤ ±0.02	≤ ±0.2
Linearity	%FS	≤ ±0.02	≤ ±0.2
Temperature effect on zero	%FS /10°C	≤ ±0.014	≤ ±0.2
Temperature effect on span	%FS /10°C	≤ ±0.011	≤ ±0.2
Rated Output	counts	1,000,000	
Zero balance	counts	±1000	
Serial interface		RS485 4-wire/2-wire	
Baud rate	bps	4800, 9600, 19200, 38400, 115200, 460800	
Power supply	V	12...24VDC	
Excitation	V	5V AC	
Working temperature range	°C	-10 to +40	
Storage temperature range	°C	-40 to +80	
Maximum Load Cell sensitivity	mV/V	2.0±0.2	
Minimum Load Cell Impedance	ohm	>300	
Number of bus addresses		Max.32	
Safe overload	%FS	150	
Ultimate overload	%FS	300	
Cable length		6 conductor /16m φ6.2	
Ingress protection		IP67	

DIMENSIONS MM (INCH)



WIRING CODE1



WIRING CODE2

