

FEATURES

- Stainless steel IP68 compression load cell
- Hermetically sealed
- Suitable for vehicle and hopper scales and vehicle testing facilities
- Built in surge arrestors
- Current calibrated (sc-option)



AVAILABLE MODELS

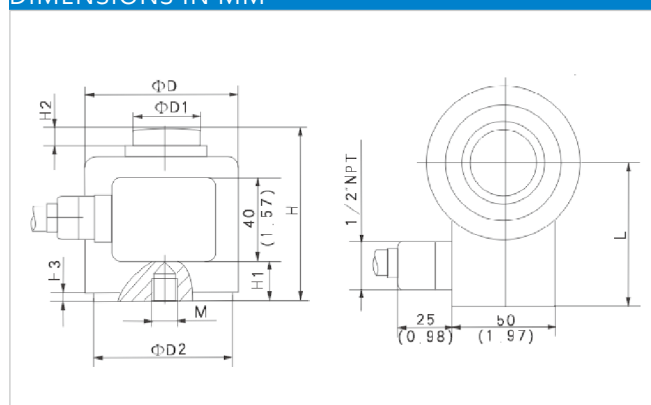
xxt	C3	BM14A-C3-xxt-xB-SC
xxklb	C3	BM14A-C3-xxK-9YB
10t-100t approved by PTB C3.		



SPECIFICATION

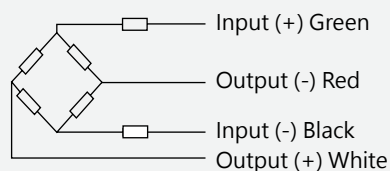
Maximum capacity (E _{max})	t	5/10/25/40/60/100
	klb	10/25/50/100/200/300/500
Accuracy class		C3
Approvals		OIML R60 C3
Maximum number of load cell intervals (nLC)		3000
Ratio of minimum LC verification interval Y=E _{max} / V _{min}		10000
Combined error	%FS	±0.020
Creep	%FS/30min	±0.016
Temperature effect on sensitivity	%FS/10°C	±0.011
Temperature effect on zero	%FS/10°C	±0.015
Output sensitivity (=FS)	mV/V	2.0±0.002
Input resistance	Ω	450±4.5
Output resistance	Ω	480±4.8
Insulation resistance	MΩ	≥ 5000 (50VDC)
Zero balance	%FS	±1.0
Compensated temperature	°C	-10~+40
Operating temperature	°C	-35~+70
Excitation, recommended voltage	V	5~12 (DC)
Excitation maximum	V	18 (DC)
Safe overload	%FS	150
Ultimate overload	%FS	300
ATEX classification (optional)		II1G Ex ia II1C T4 II1D Ex iaD20 T73°C II3G Ex nL II C T4

DIMENSIONS IN MM



Capacity	5t, 10t,25t	40t,60t	100t	10klb, 25klb,50klb	100klb	200klb 300klb	500klb
D	73 (2.87)	105 (4.13)	152 (5.98)	73 (2.87)	105 (4.13)	152 (5.98)	163 (6.42)
D1	32 (1.26)	59 (2.32)	80 (3.15)	32 (1.26)	59 (2.32)	80 (3.15)	94 (3.70)
D2	58 (2.28)	83 (3.27)	124 (4.88)	58 (2.28)	83 (3.27)	124 (4.88)	136 (5.35)
H	82.5 (3.25)	127 (5)	184 (7.24)	82.5 (3.25)	127 (5)	184 (7.24)	229 (9.02)
H1	13 (0.51)	33 (1.30)	70 (2.76)	12.5 (0.49)	33 (1.30)	70 (2.76)	91 (3.58)
H2	8 (0.31)	9 (0.35)	23 (0.91)	8 (0.31)	9 (0.35)	23 (0.91)	11 (0.43)
H3	2 (0.08)	12 (0.47)	22 (0.87)	2 (0.08)	12 (0.47)	22 (0.87)	25 (0.984)
L	64 (2.52)	87 (3.43)	109 (4.29)	64 (2.52)	87 (3.43)	109 (4.29)	123 (4.8)
M	M12×1.75	M20×2.5	M20×2.5	1/2-20UNF	3/4-16UNF	3/4-16UNF	3/4-16UNF

WIRING



- Shielded, 4 conductor cable.
- Cable diameter: Φ 7.7mm.
- Standard cable length for 10t: 10m and for all other capacities: 20m.
- Shield is not connected to element