

L6N

FEATURES

- Aluminium-alloy IP65 single point load cell.
- Colourless anodized
- Suitable for single or double load cell structured platform scales
- Maximum platform size: 400 x 400 mm



OIML test certificate no. D09-06.11 Revision 1
C of C no R60/2000-CN1-06.04

Certificate no. 11-055

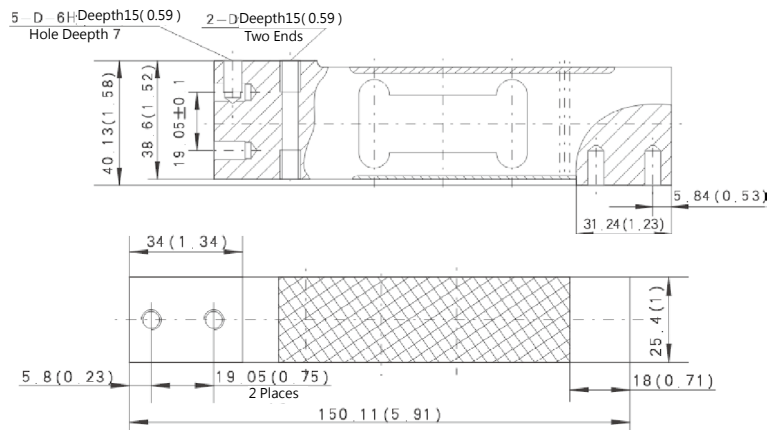
AVAILABLE MODELS

3kg-100kg Cx L6N-Cx-xxkg-3B6/3YB6

SPECIFICATION

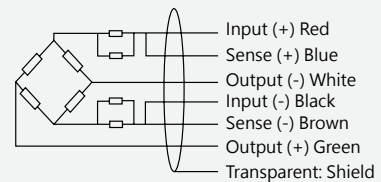
Maximum capacity (E _{max})	kg	3/5/8/10/15/20/30/40/50/75/100		
Output sensitivity (=FS)	mV/V	2.0±0.2		
Accuracy class		C3	C4	C5
Combined error	%FS	±0.02	±0.015	±0.01
Creep	%FS/30min	±0.0167	±0.0125	±0.01
Temperature effect on sensitivity	%FS/10°C	±0.0175	±0.0131	±0.01
Temperature effect on zero	%FS/10°C	±0.02	±0.012	±0.009
Zero balance	%FS	±2		
Compensated temperature	°C	-10~40		
Operating temperature	°C	-35~+65		
Input resistance	Ω	406±6		
Output resistance	Ω	350±3		
Insulation resistance	MΩ	≥ 5000 (50VDC)		
Excitation, recommended voltage	V	5~12 (DC)		
Excitation maximum	V	18 (DC)		
Safe overload	%FS	120		
Ultimate overload	%FS	150		
Protection Class		IP65		
Cable SPECIFICATIONS	mm	φ4.8		
Cable Length	m	3		
Recommended installation size	mm	400×400		
Corner correction		0.02%load value/100mm		
Recommended torque on fixation	N.m	10		

DIMENSIONS IN MM



D	Metric	Imperial
	M6×1	1/4-20UNC-2B

WIRING



- Shielded, 6 conductor cable
- Cable Diameter: φ4.8mm
- Standard cable length: 3m
- Shield is not connected to element
- Cable jacket is PVC.