

FEATURES

- Stainless/ alloy steel IP67 single point load cell
- Suitable for platform, belt and other electronic scales
- Maximum platform size: 400 mm x 400 mm



AVAILABLE MODELS

Capacity	Accuracy	Full article description
xxkg	C3	B6Q-C3-xxkg-1.5B6
xxkg	C3	B6Q-C3-xxkg-1.5B6-S1
xxkg	C3	B6Q-C3-xxkg-1.5YB6
xxkg	C3	B6Q-C3-xxkg-1.5YB6-S1

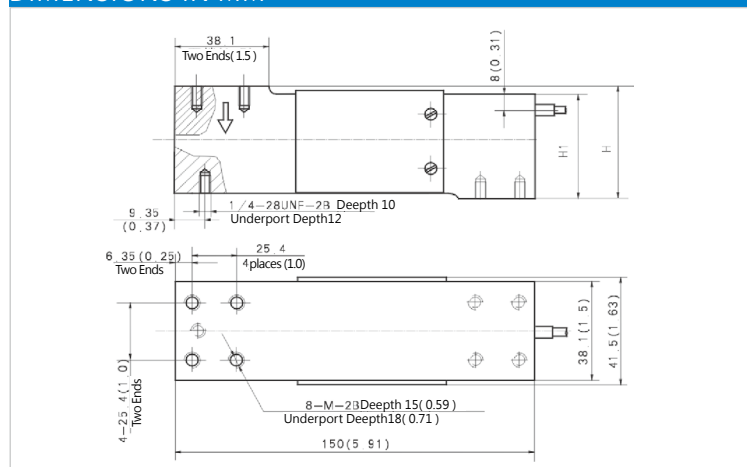


SPECIFICATION

Maximum capacity (E _{max})	kg	50/100/150/200/250
Accuracy class		C3
Maximum number of load cell intervals (nLC)		3000
Ratio of minimum LC verification interval Y=E _{max} / V _{min}		10000
Combined error	%FS	±0.020
Creep	%FS/30min	±0.016
Temperature effect on sensitivity	%FS/10°C	±0.011
Temperature effect on zero	%FS/10°C	±0.015
Output sensitivity (=FS)	mV/V	2.0±0.2
Input resistance	Ω	400±20
Output resistance	Ω	351±2.0
Insulation resistance	MΩ	≥ 5000 (50VDC)
Zero balance	%FS	±1.5
Compensated temperature	°C	-10~+40
Operating temperature	°C	-35~+65
Excitation, recommended voltage	V	5~12 (DC)
Excitation maximum	V	18 (DC)
Safe overload	%FS	150
Ultimate overload	%FS	300
Corner correction		0.02%load value/100mm
Recommended torque on fixation	N.m	10
ATEX classification (optional)		II1G Ex ia IIC T4 II1D Ex iaD20 T73°C II3G Ex nL IIC T4

Note: "S1" output sensitivity is 2.0±0.002mV/V, input resistance is 384±4

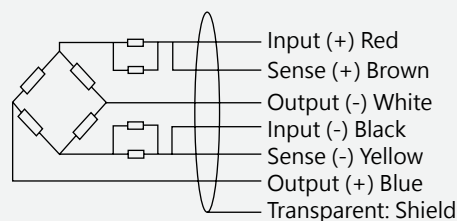
DIMENSIONS IN MM



Capacity	Dimension	H	H1	M
50kg		38 (1.5)	36 (1.42)	M6-6H
100kg~250kg		39.9 (1.57)	38 (1.5)	1/4-20UNC-2B

50 kg without 1/4-28UNF-2B threaded hole

WIRING



- Adopt shielded, 4 conductor cable: Φ5.0mm
- Standard cable length: 1.5m