

HM3Q

FEATURES

- Nickel plated alloy steel IP68 "S" type load cell.
- High accuracy.

AVAILABLE MODELS

6t	C3/C4	HM3Q-C3/C4-6t-10B
12t	C3/C4	HM3Q-C3/C4-12t-10B
20t	C3/C4	HM3Q-C3/C4-20t-10B
30t	C3/C4	HM3Q-C3/C4-30t-10B



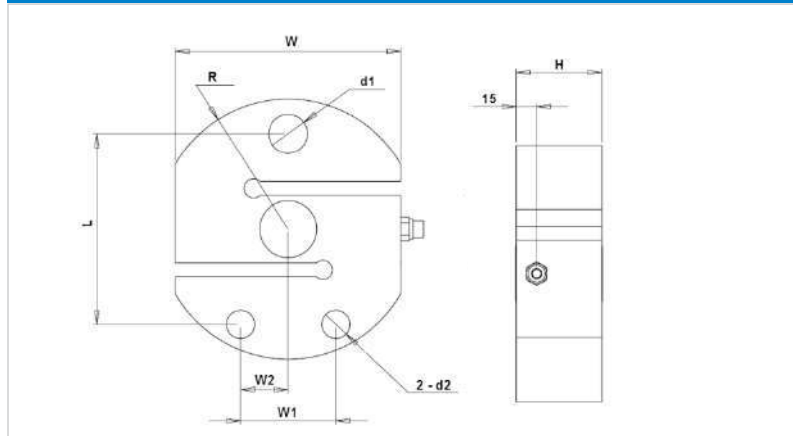
OIML test certificate no. TC8102 Revision 0
C of C no R60/2000-NL1-12.13



SPECIFICATION

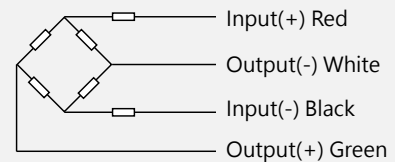
		OIML R60 C3	OIML R60 C4
Accuracy class			
Output sensitivity (=FS)	mV/V	2.0 ± 0.002	
Maximum capacity (Emax)	t	6/12/20/30	
Maximum number of load cell intervals (nLC)		3000	4000
Ratio of minimum LC verification interval Y=Emax / Vmin		10000	15000
Combined error	%FS	± 0.0230	± 0.0175
Minimum dead load	%FS	0	
Safe overload	%FS	150	
Ultimate overload	%FS	300	
Zero balance	%FS	± 1.5	
Excitation, recommended voltage	V	5 ~ 12 (DC)	
Excitation maximum	V	18 (DC)	
Input resistance	Ω	1000 ± 10	
Output resistance	Ω	1004 ± 5	
Insulation resistance	MΩ	≥ 5000 (50VDC)	
Compensated temperature	°C	-10 ~ +40	
Operating temperature	°C	-35 ~ +65	
Storage temperature	°C	-40 ~ +70	
Element material		Nickel plated alloy steel	
Ingress protection (according to EN 60529)		IP68	

DIMENSIONS IN MM



Dimension Capacity	W	W1	W2	L	R	H	Φd1	Φd2
6t	130 (5.12)	55 (2.17)	27.5 (1.08)	110 (4.33)	75 (2.95)	50 (1.97)	22.4 (0.88)	16.2 (0.64)
12t	130 (5.12)	55 (2.17)	27.5 (1.08)	110 (4.33)	75 (2.95)	60 (2.36)	22.4 (0.88)	16.2 (0.64)
20t	150 (5.91)	70 (2.76)	35 (1.38)	125 (4.92)	89 (3.50)	65 (2.56)	38.1 (1.50)	24.5 (0.96)
30t	200 (7.87)	90 (3.54)	45 (1.77)	176 (6.93)	125 (4.92)	70 (2.95)	50.15 (1.97)	30.15 (1.19)

WIRING



- Shielded, 4 conductor cable
- Cable diameter: Φ5mm
- Standard cable length: 10m
- Shield is not connected to element