

# BM3



## FEATURES

- Stainless steel IP68 "S" type load cell.
- Tension and compression applications.
- Suitable for hanging, hopper and other weighing devices.



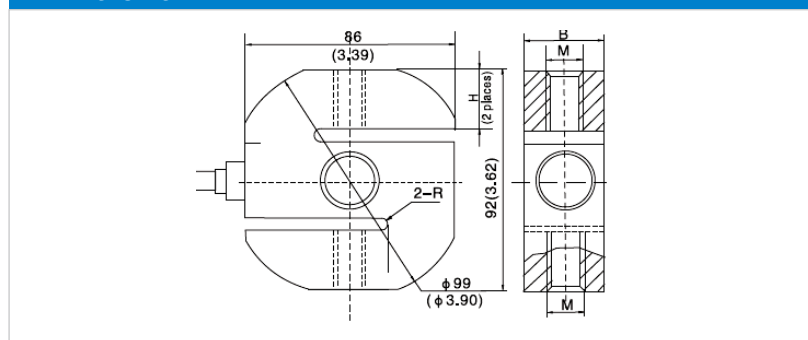
## AVAILABLE MODELS

50 kg	C3	BM3-C3-50kg-6B
100 kg	C3	BM3-C3-100kg-6B
150 kg	C3	BM3-C3-150kg-6B
200 kg	C3	BM3-C3-200kg-6B
250 kg	C3	BM3-C3-250kg-6B
500 kg	C3	BM3-C3-500kg-6B
1.0 t	C3	BM3-C3-1.0t-6B
2.0 t	C3	BM3-C3-2.0t-6B
3.0 t	C3	BM3-C3-3.0t-6B
4.0 t	C3	BM3-C3-4.0t-6B
5.0 t	C3	BM3-C3-5.0t-6B
6.0 t	C3	BM3-C3-6.0t-6B
7.5 t	C3	BM3-C3-7.5t-6B

## SPECIFICATION

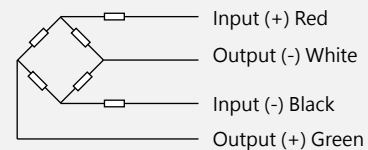
Accuracy class		OIML R60 C3		
Output sensitivity (= FS)	mV/V	2.0 ± 0.004		
Maximum capacity (E <sub>max</sub> )	t	0.5/1/2/2.5/3/4/5/6/7.5		
Maximum number of load cell intervals (nLC)		3000		
Ratio of minimum LC verification interval Y=E <sub>max</sub> / v <sub>min</sub>		7500	12000	
Combined error	%FS	± 0.02		
Minimum dead load	kg	0		
Safe overload	%FS	150		
Ultimate overload	%FS	300		
Zero balance	%FS	± 1.0		
Excitation, recommended voltage	V	5 ~ 12 (DC)		
Excitation maximum	V	18 (DC)		
Input resistance	Ω	350±3.5		
Output resistance	Ω	350±3.5		
Insulation resistance	MΩ	≥ 5000 (50VDC)		
Compensated temperature	°C	-10 ~ +40		
Operating temperature	°C	-35 ~ +65		
Storage temperature	°C	-40 ~ +70		
Element material		Stainless steel		
Ingress protection (according to EN 60529)		IP68		
ATEX classification (optional)		II1G Ex ia IIC T4	II1D Ex iaD 20 T73°C	II3G Ex nL IIC T4

## DIMENSIONS IN MM



Capacity(t)	0.5t,1t	2t,2.5t,3t	4t	5t,6t,7.5t
Dimension				
W	32 (1.26)	32 (1.26)	36 (1.42)	50 (1.97)
H	25 (0.98)	25 (0.98)	25 (0.98)	26 (1.02)
M	M12 x 1.75	M20 x 1.5	M20 x 1.5	M24 x 2

## WIRING



- Shielded, 4 conductor cable.
- Cable diameter: Ø5mm
- Standard cable length for 500kg: 3m and for all other capacities: 6m.
- Shield is not connected to element