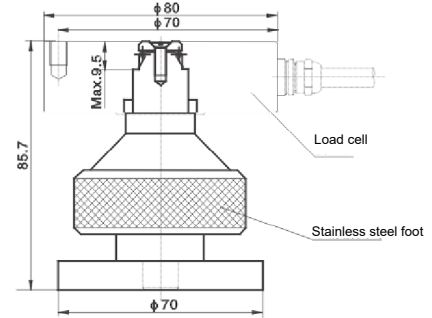
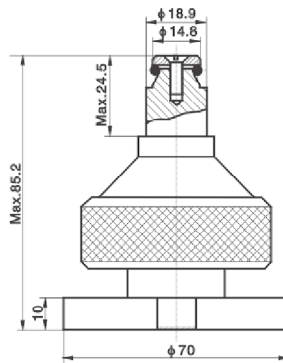


BJ-24-205

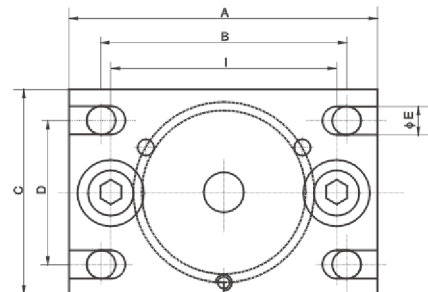
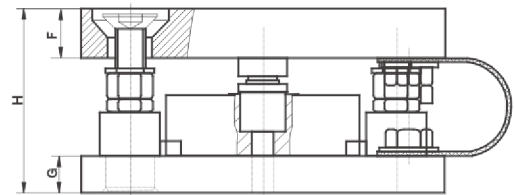


FEATURES

- Stainless steel material, assembled with load cell: BM24R
- Automatically centralized inside, good ability of anti-side load, easy installation, height with 5mm adjustment.
- Suitable for process control, batch weighing, silo/hoppers and belt scale applications.
- Capacity: 2t, 3.5t, 5t.

Capacity	Part number
2t-5t	BJ-24-205

BM-24-401/402/403



FEATURES

- Assembled with load cell BM24R.
- AISI 304 stainless steel and Rocker-pin load introduction.
- Built-in horizontal movement control and lift-off protection.
- Easy load cell (re) placement after mount installation.
- Suitable for process control, batch weighing, silo/hoppers and belt scale applications.

SPECIFICATIONS

		BM-24-401	BM-24-402	BM-24-403
Model number				
Capacity		250kg / 500kg / 1t	2t / 3.5t / 5t	10t / 13t
Maximum vertical force without load cell	KN	15	30	50
Maximum lift off force	KN	10	20	30
Maximum horizontal force in all directions	KN	5	10	20
Maximum horizontal movement	mm	±3	±3	±3
Installation height	mm	80	105	117
Working height	mm	75	100	110

Capacity	Dimension	A	B	C	D	ΦE	F	G	H	I
250kg / 500kg / 1t		150	120	100	70	Φ14	20	15	75	110
2t / 3.5t / 5t		160	120	110	70	Φ16	20	20	100	--
10t / 13t		210	175	120	85	Φ18	25	20	110	--