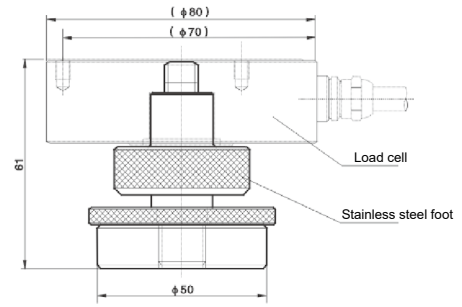
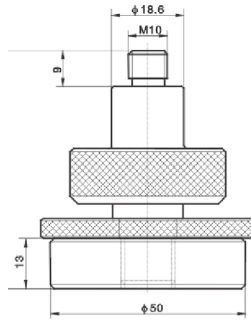


BJ-24-202

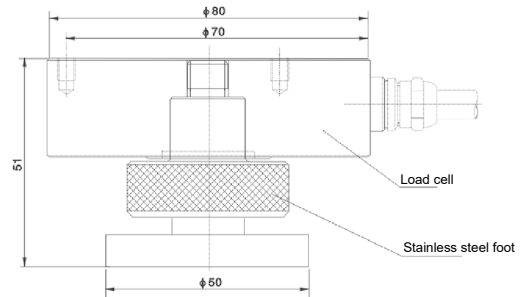
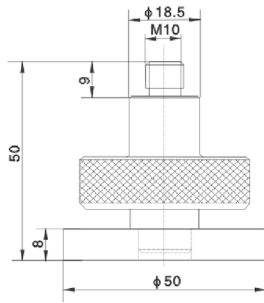


FEATURES

- Stainless steel material, assembled with load cell: BM24R
- Automatically centralized inside, good ability of anti-side load, easy installation, height with 5mm adjustment.
- Suitable for process control, batch weighing, silo/hoppers and belt scale applications.
- Capacity: 250Kg, 500Kg, 1t.

Capacity	Part number
250kg-1t	BJ-24-202

BJ-24-203

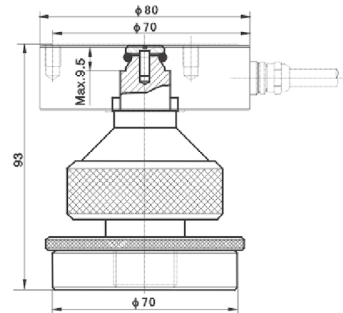
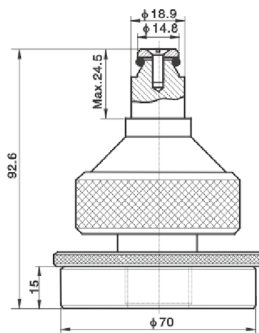


FEATURES

- Stainless steel material, assembled with load cell: BM24R
- Automatically centralized inside, good ability of anti-side load, easy installation, height with 5mm adjustment.
- Suitable for process control, batch weighing, silo/hoppers and belt scale applications.
- Capacity: 250Kg, 500Kg, 1t.

Capacity	Part number
250kg-1t	BJ-24-203

BJ-24-204



FEATURES

- Stainless steel material, assembled with load cell: BM24R
- Automatically centralized inside, good ability of anti-side load, easy installation, height with 5mm adjustment.
- Suitable for process control, batch weighing, silo/hoppers and belt scale applications.
- Capacity: 2t, 3.5t, 5t.

Capacity	Part number
2t-5t	BJ-24-204